

Bullet Resistant Doors

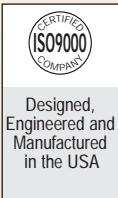


- Stock and Custom Sizes Available with or without Vision Lite
- Level 1 or Level 3 Protection Available

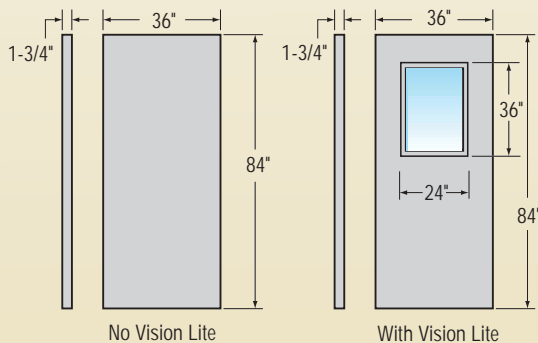
NEW

Bullet Resistant Doors are for interior or exterior use, and are manufactured to meet U.L.752 Level 1 or Level 3 Protection. Available with or without Vision Windows, all doors and frames are fabricated from prime quality cold rolled steel, and include a baked-on rust inhibitive oxide primer. Vision Windows are glazed with bullet resistant glass. Standard components include: continuous aluminum geared hinge; surface mounted door closer; keyed cylinder lock; standard lever handles. Custom sizes, colors and options are available on special order. **NOTE:** Exterior use requires a threshold, which can be ordered separately.

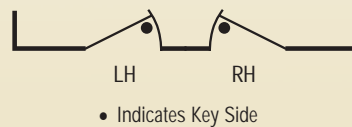
PROTECTION LEVEL



Door Type

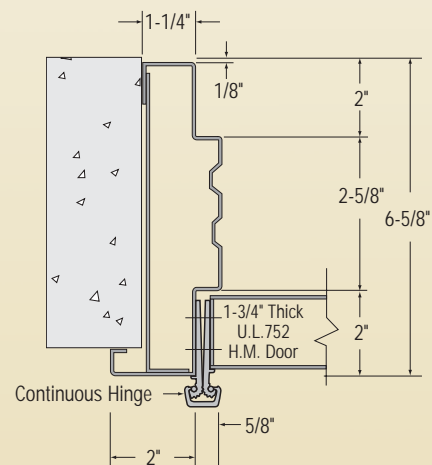


Door Swing Determination



Doors must be specified with left or right hand hinge determined from the key side

Door Frame



CAT. NO.	DESCRIPTION	PROTECTION	OVERALL SIZE (W x H)	OPENING SIZE (W x H)	DOOR SWING (SEE ABOVE)
BRDR1	Door - No Vision Lite	Level 1	36" x 84"	39" x 85-1/2"	RH
BRDRV1	Door with Vision Lite	Level 1	36" x 84"	39" x 85-1/2"	RH
BRDL1	Door - No Vision Lite	Level 1	36" x 84"	39" x 85-1/2"	LH
BRDLV1	Door with Vision Lite	Level 1	36" x 84"	39" x 85-1/2"	LH
BRDR3	Door - No Vision Lite	Level 3	36" x 84"	39" x 85-1/2"	RH
BRDRV3	Door with Vision Lite	Level 3	36" x 84"	39" x 85-1/2"	RH
BRDL3	Door - No Vision Lite	Level 3	36" x 84"	39" x 85-1/2"	LH
BRDLV3	Door with Vision Lite	Level 3	36" x 84"	39" x 85-1/2"	LH
BRDC	Custom Door	Specify	Specify	Specify	Specify

SPECIFICATIONS:

Materials: Frame - 14 Gauge Steel; Door - 16 Gauge Steel
Glazing: 1-5/16" BR Glass Level 1; 1-7/8" BR Glass Level 3
Finish: Prime Painted
Instructions Included