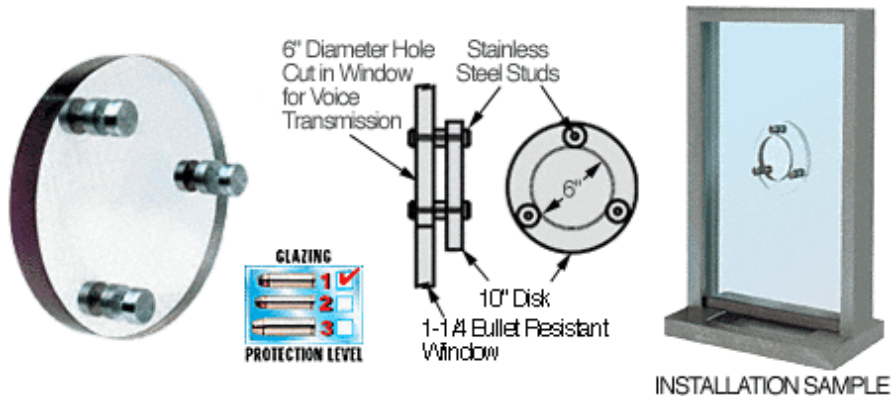




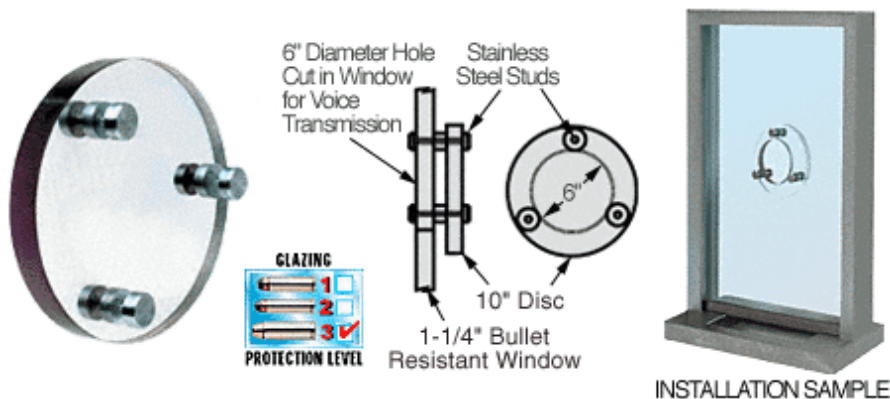
Round Clear-Vision Bullet Resistant Acrylic Speak-Thru

Round Level 1 Clear-Vision Bullet Resistant Acrylic Speak-Thru



- Overview:
 - Virtually Unobstructed Vision
 - Disc Overlap Prevents Direct Entry of Projectiles While Allowing Natural Voice Transmission
- Applications:
 - Are designed to allow audible transmission of voice requests at ticket windows, box offices and more.
- Features:
 - Clear Vision Bullet Resistant Speak-Thrus not only offer two levels of protection but provide a clear field of vision.
 - The unit is easy to install. Just drill a six inch (354 millimeter) diameter hole in the bullet resistant window, surrounded by three 5/16 inch (8 millimeter) holes spaced at 120° on a 7-1/2 inch (191 millimeter) diameter (template included).
 - Then secure the 10 inch (254 millimeters) Acrylic or Lexgard Disc using the Stainless Steel Studs provided with the unit.
 - The space between the window and disc allow for clear voice transmission. The 10 inch (254 millimeter) disc provides enough overlap to prevent direct entry of projectiles.
 - Catalog Number: CAD101

Round Level 3 Clear-Vision Bullet Resistant Lexgard Speak-Thru



- Overview:
 - Virtually Unobstructed Vision
 - Disc Overlap Prevents Direct Entry of Projectiles While Allowing Natural Voice Transmission
- Applications:
 - Are designed to allow audible transmission of voice requests at ticket windows, box offices and more.
- Features:
 - Clear Vision Bullet Resistant Speak-Thrus not only offer two levels of protection but provide a clear field of vision.
 - The unit is easy to install. Just drill a six inch (354 millimeter) diameter hole in the bullet resistant window, surrounded by three 5/16 inch (8 millimeter) holes spaced at 120° on a 7-1/2 inch (191 millimeter) diameter (template included).
 - Then secure the 10 inch (254 millimeter) Acrylic or Lexgard Disc using the Stainless Steel Studs provided with the unit.
 - The space between the window and disc allow for clear voice transmission. The 10 inch (254 millimeter) disc provides enough overlap to prevent direct entry of projectiles.
 - Catalog Number: CLD103

Related Products:
[Round Clear-Vision Bullet Resistant Acrylic Speak-Thru](#)
[Square Bullet Resistant Speak-Thru](#)
[No-Draft Speak Thru](#)

[Request a Quote](#) | [Email](#) | Toll Free: 1-866-300-5122 | [Site Map](#)

Copyright © 2006 Advanced Protection Products Inc.. Text, graphics, photos and videos are protected by Canadian and International Copyright Laws and may not be copied, reproduced, published, translated, hosted, or otherwise distributed by any means without prior written permission.

E.&O.E. - Specs subject to change and will be confirmed at time of quote or ordering.