

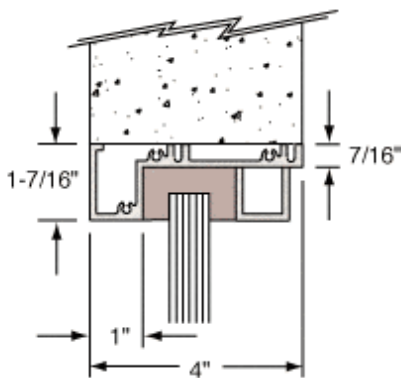
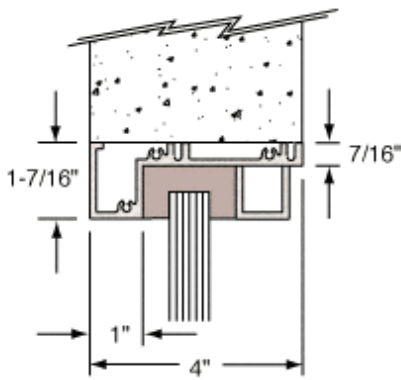


# ADVANCED PROTECTION PRODUCTS INC.

*Your Protection Specialists*

## Aluminum Narrow Inset Frame Interior Glazed Exchange Window with 18" Shelf and Deal Tray

- Narrow Inset Style Frame Easily Slides Into Wall Opening
- Surround Sound System Allows Natural Voice Transmission



- Our Aluminum Narrow Inset Frame Interior Glazed Exchange Window has a 18 inch (457.2 millimeter) shelf and accommodates walls of at least four inches (101.6 millimeters) thick.
- Unit easily slides into the wall opening.
- Color: Satin Anodized, Duranodic Bronze, Painted
- Ship Via: No UPS - Common Carrier Only
- Minimum Order: 1 Each
- For us to fabricate this window for you, we need width and height of the intended frame, and for you to select from these options:
- Glazing Material Options:
  - 1/4 Inch (6.4 millimeter) Non-Bullet Resistant Glass
  - 3/4 Inch (19.1 millimeter) Level 1 Bullet Resistant Lexgard
  - 1-5/16 Inch (33.3 millimeter) Level 1 Bullet Resistant Glass
  - 1-1/4 Inch (31.8 millimeter) Level 1 Bullet Resistant Acrylic
  - 1-1/4 Inch (31.8 millimeter) Level 1 Bullet Resistant Acrylic with SAR Coating
  - 1-1/4 Inch (31.8 millimeter) Level 3 Bullet Resistant Lexgard
- Speak-Thru Options: Surround Sound
- Shelf Options:

- Stainless Steel Shelf with Deal Tray
- Formica Shelf with Deal Tray

N11W18A, N11W18DU, N11W18P - 12" Shelf	
Frame Size (W x H)	Wall Opening Size (W x H)
24" x 30"	24-1/2" x 30-1/4"
24" x 36"	24-1/2" x 36-1/4"
24" x 42"	24-1/2" x 42-1/4"
30" x 30"	30-1/2" x 30-1/4"
30" x 36"	30-1/2" x 36-1/4"
30" x 42"	30-1/2" x 42-1/4"
36" x 30"	36-1/2" x 30-1/4"
36" x 36"	36-1/2" x 36-1/4"
36" x 42"	36-1/2" x 42-1/4"

Copyright © 2009 Advanced Protection Products Inc.. Text, graphics, photos and videos are protected by International Copyright Laws and may not be copied, reproduced, published, translated, hosted, or otherwise distributed by any means without prior written permission.

E.&O.E. - Specs subject to change and will be confirmed at time of quote or ordering.