

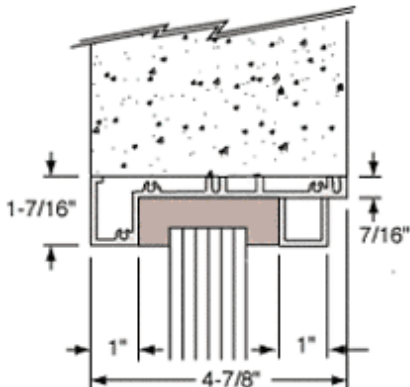
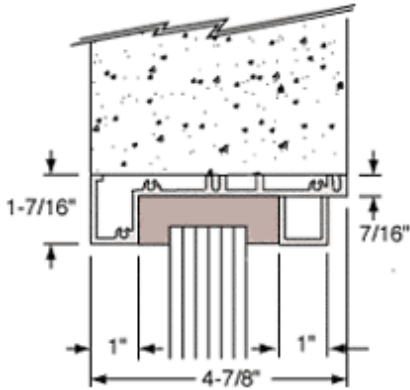
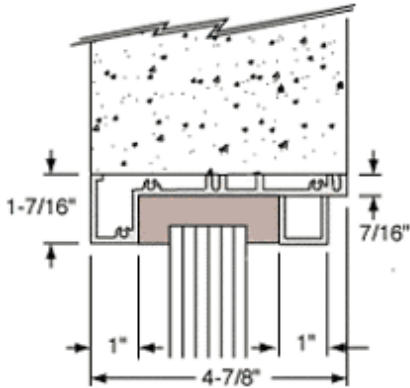


ADVANCED PROTECTION PRODUCTS INC.

Your Protection Specialists

Satin Anodized Aluminum Standard Inset Frame Interior Glazed Vision Window S1V1A, S1V1DU and S1V1P

- Standard Inset Style Frame Easily Slides Into Wall Opening
- Surround Sound System Allows Natural Voice Transmission



- Our Aluminum Standard Inset Frame Interior Glazed Vision Window accommodates walls of at least 4-7/8 inches (124 millimeters) thick.
- Unit easily slides into the wall opening.
- Color: Satin Anodized, Duranodic Bronze, Painted
- Ship Via: No UPS - Common Carrier Only
- Minimum Order: 1 Each
- For us to fabricate this window for you, we need width and height of the intended frame, and for you to select from these options:
 - Glazing Material Options:
 - 1/4 Inch (6.4 millimeter) Non-Bullet Resistant Glass
 - 3/4 Inch (19.1 millimeter) Level 1 Bullet Resistant Lexgard
 - 1-5/16 Inch (33.3 millimeter) Level 1 Bullet Resistant Glass
 - 1-1/4 Inch (31.8 millimeter) Level 1 Bullet Resistant Acrylic
 - 1-1/4 Inch (31.8 millimeter) Level 1 Bullet Resistant Acrylic with SAR Coating
 - 1-5/8 Inch (41.3 millimeter) Level 2 Bullet Resistant Glass
 - 1-1/4 Inch (31.8 millimeter) Level 3 Bullet Resistant Lexgard
 - 1-7/8 Inch (47.6 millimeter) Level 3 Bullet Resistant Glass
- Speak-Thru Options: Surround Sound

Standard Size (W x H)	Wall Opening Size (W x H)
24" x 36"	24-1/2" x 36-1/4"
30" x 36"	30-1/2" x 36-1/4"
30" x 42"	30-1/2" x 42-1/4"
36" x 36"	36-1/2" x 36-1/4"
36" x 42"	36-1/2" x 42-1/4"

Copyright © 2009 Advanced Protection Products Inc.. Text, graphics, photos and videos are protected by International Copyright Laws and may not be copied, reproduced, published, translated, hosted, or otherwise distributed by any means without prior written permission.

E.&O.E. - Specs subject to change and will be confirmed at time of quote or ordering.