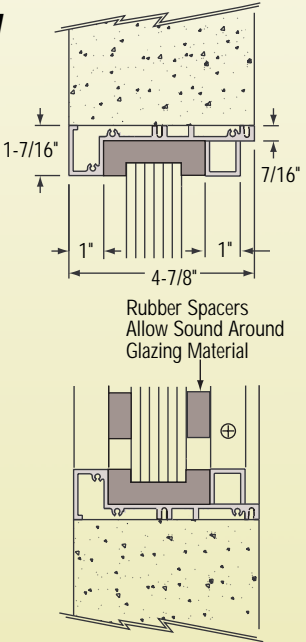


Interior Glazed Exchange Window

- Standard Inset Frame Vision Window with Surround Sound System to Allow Natural Voice Transmission

Standard Inset Frame Vision Windows with Surround Sound allow natural voice transmission without an installed speak-thru device. Vision Windows are typically installed above built in Exchange Drawers, or as sidelites in Multi-Lite Exchange Window units. Frame is designed for walls at least 4-7/8" thick. They are not weather tight, and are recommended for installation only in interior applications. The frame is uniform on four sides. Securing the frame to the wall requires the removal and installation of the glazing material and spacer blocks. Common sizes are shown below, alternate sizes are available.



SERIES: S1V1A, S1V1DU, S1V1P

OVERALL SIZE (W x H)	WALL OPENING SIZE (W x H)
24" x 36"	24-1/2" x 36-1/4"
30" x 36"	30-1/2" x 36-1/4"
30" x 42"	30-1/2" x 42-1/4"
36" x 36"	36-1/2" x 36-1/4"
36" x 42"	36-1/2" x 42-1/4"

SPECIFICATIONS:

Materials: Frame - .125" Thick Extruded 6063-T5 Aluminum Alloy; Glazing - 1/4" Glass; 1-5/16" Level 1 Glass; 1-1/4" Level 1 Acrylic; 3/4" Level 1 Lexgard; 1-5/8" Level 2 Glass; 1-7/8" Level 3 Glass; 1-1/4" Level 3 Lexgard
Finishes: Frame - Satin Anodized, Duranodic Bronze, RAL Powder Paint Colors or Custom Kynar Paint Colors
Instructions Included