

Installation Instructions

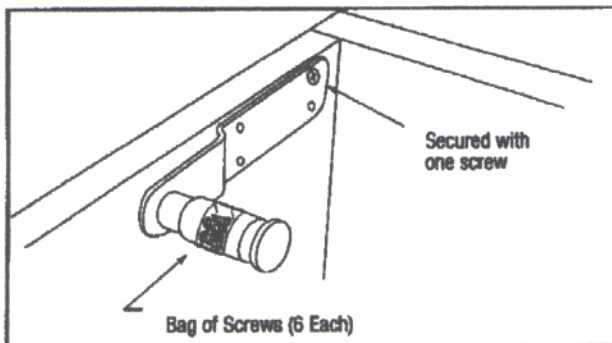
Cat. No. TD1724 Transaction Drawer

Note: Each of the five different Installation Options have different Installation Instructions. Select the type of installation best suited for your application and read all instructions before starting installation.

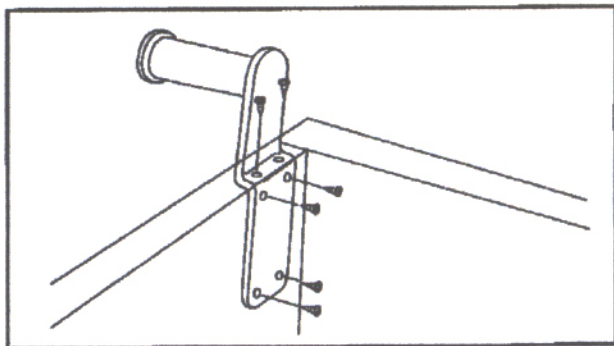
ATTACHING SLIDE HANDLE TO DRAWER

Different types of installations require this procedure to be done at different times during the installation.

SLIDE HANDLE IN SHIPPING POSITION



SLIDE HANDLE IN OPERATIONAL POSITION



When the unit is shipped the slide handle is secured to the inside of the drawer with one screw. Remove this screw and the polybag of screws from the handle. Position handle vertically with the round grip pointing away from the drawer and secure with screws in the pre-drilled holes. Check your installation option for the correct time to install the handle.

UNDER WINDOW, NO COUNTER

1. Notch the wall below the window opening using the measurements shown to the right.
2. Place the unit on a table and turn the Latch Knob to lift up the Lexan Lid. Remove the locking pin with ring attached from the bottom of the drawer. Remove the 4 screws from each side of the lower slide rails that attach to the side of the box. Pull the drawer out of the box and set to the side.
3. Place the box portion of the unit in the opening and shim for proper fit. Lift the front Stainless Steel Door, and using an angle drill, drill through the sides (minimum 4" up from the bottom to clear drawer slides) and the bottom (on either side of the bottom center drawer slide), then secure with fasteners.
4. Lift the front Stainless Steel Door and insert the drawer with the drawer slides extended. Then screw the drawer slides to the side of the box (4 screws each side) and push the drawer back into the box.
5. Lift the Lexan Lid and attach the Stainless Steel Slide Handle (illustrated instructions above). Insert locking pin in the hole to secure the drawer.
6. Caulk any gaps between the wall and the unit to complete the installation.

NOTCH REQUIRED

