

Interior Glazed Exchange Window

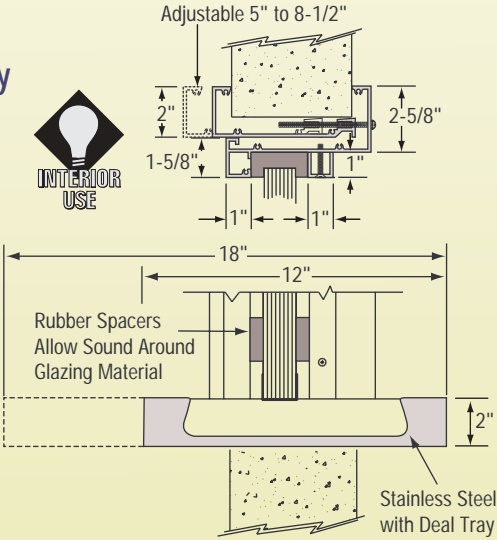
- Clamp-On Frame Design Incorporates Surround Sound and Built In Non-Ricochet Bullet Resistant Deal Tray

Interior Glazed Clamp-On Frame Windows with Surround Sound Voice Transmission System and brushed Stainless Steel Shelf with Non-Ricochet Bullet Resistant Deal Tray. The extruded aluminum frame is intended for installation into walls 5" to 8-1/2" thick. Shelf depths are 12" and 18". Added depth of 18" shelf gives customer a convenient writing surface. Tightening screws on the interior side of the frame clamps the window securely in the opening. Common sizes are shown below, alternate sizes are available.

SERIES: CO1W12A, CO1W12DU, CO1W12P - 12" SHELF
 SERIES: CO1W18A, CO1W18DU, CO1W18P - 18" SHELF

OVERALL SIZE (W x H)	WALL OPENING SIZE (W x H)
28" x 36"	25-3/4" x 31"
28" x 38" ^Δ	25-3/4" x 37"
28" x 44"	25-3/4" x 43"
34" x 32"	31-3/4" x 31"
34" x 38"	31-3/4" x 37"
34" x 44"	31-3/4" x 43"
40" x 32"	37-3/4" x 31"
40" x 38" ^Δ	37-3/4" x 37"
40" x 44"	37-3/4" x 43"

^Δ This size available off the shelf with Surround Sound and 1-1/4" bullet resistant acrylic glazing. - See page TR31.



PROTECTION LEVEL



SPECIFICATIONS:

Materials: Frame - .125" Thick Extruded 6063-T5 Aluminum Alloy;
 Glazing - 1/4" Glass; 1-5/16" Level 1 Glass; 1-1/4" Level 1 Acrylic; 3/4" Level 1 Lexgard;
 1-5/8" Level 2 Glass; 1-7/8" Level 3 Glass; 1-1/4" Level 3 Lexgard; Shelf - Stainless Steel
Finishes: Frame - Satin Anodized, Duranodic Bronze, RAL Powder Paint Colors or Custom Kynar Paint Colors; Shelf - Brushed Stainless Steel
Deal Tray: Level 1 or Level 3 Protection
Instructions Included - Made in USA - ISO 9000 Certified