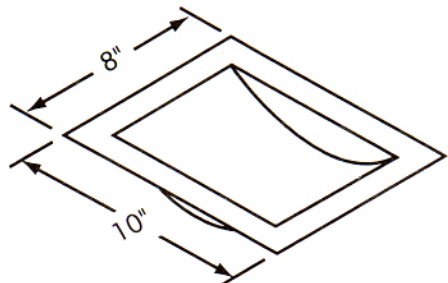


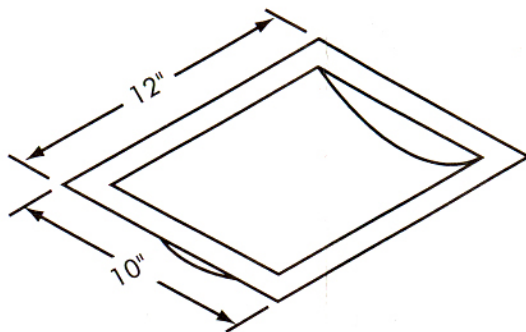
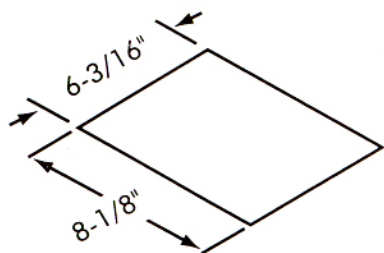
Installation Instructions

STANDARD DEAL TRAY (DROP IN MODELS)



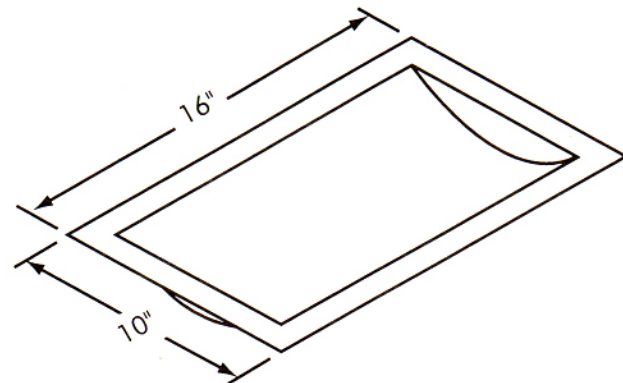
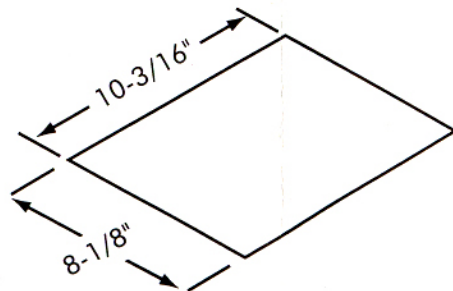
Cat. No. CTD08 • Polished Stainless Finish
Cat. No. CTDB08 • Brushed Stainless Finish

CTD08/CTDB08 CUTOUT SIZE:



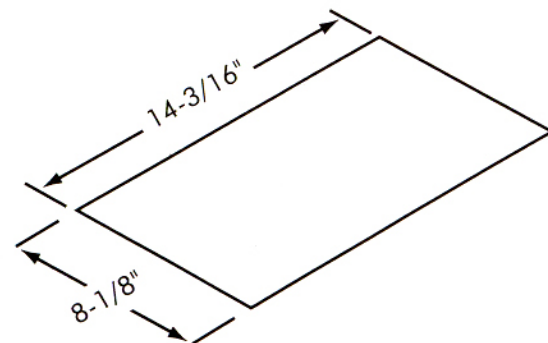
Cat. No. CTD12 • Polished Stainless Finish
Cat. No. CTDB12 • Brushed Stainless Finish

CTD12/CTDB12 CUTOUT SIZE:



Cat. No. CTD16 • Polished Stainless Finish
Cat. No. CTDB16 • Brushed Stainless Finish

CTD16/CTDB16 CUTOUT SIZE:



(SEE BACK OF PAGE FOR INSTALLATION INSTRUCTIONS)