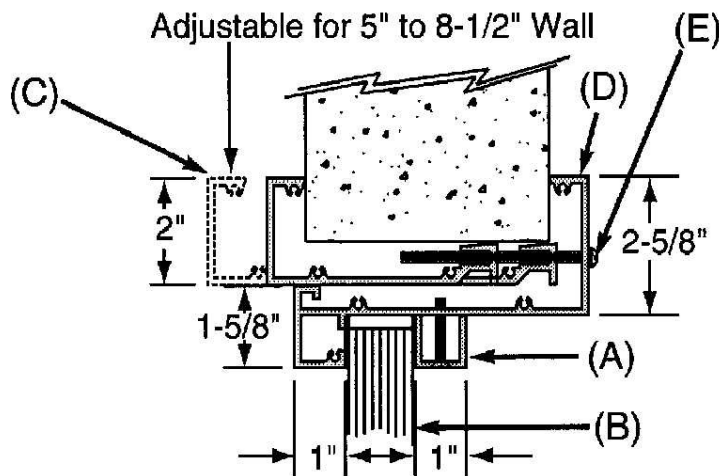


Installation Instructions

Clamp-On Frame Windows

INSTALLATION PROCEDURES

1. The rough opening for a Clamp-On Frame Window is *SMALLER* than the overall frame size of the window. Refer to your final Custom Order Confirmation Form for your appropriate rough opening dimensions.
2. If the window was purchased with glazing, it may be packed in a few different ways: glazing installed in the window; glazing in the same crate but not installed in the window; window and the glazing in separate crates. The installation guidelines shown below are based on a full frame vision window that comes with the glazing installed.



- a) Remove the interior glazing stop (A) then carefully remove the glazing (B) from the window and set aside. If the window was purchased with black surround sound spacer blocks (optional item) on the edge of the glazing, also set these aside after noting their positions. **When removing the glazing keep in mind that a careless tap from a tool, laying the glazing on any of its corners, or any other careless act may damage the glazing.**
 - b) Unscrew the exterior frame (C) from the interior frame (D) by removing the clamping screws (E). Separate the interior frame from the exterior frame at this time. During this step pay special attention to how the exterior and interior frame screw together. Once you have separated the exterior and the interior frames, re-tighten all the screws holding each individual frame together, as some may have loosened during transit.
 - c) From the exterior, place the exterior frame into the opening and hold it in position. From the interior, place the interior frame into the opening, carefully aligning it with the exterior frame. Reinstall the clamping screws however do not tighten the screws at this time, just snug them in place. Position the frame as required to achieve a plumb and level position. Tighten the screws, alternating from left to right side and alternating top to bottom.
 - d) Before you reinstall the glazing, if your window *DID* include the black surround sound spacer blocks around the glazing, reinstall the spacers equally on the glazing. If your window *DID NOT* include black surround sound spacer blocks, you will have double faced foam tape on the mainframe. Remove the release liner to expose the adhesive on the foam tape.
 - e) Reinstall the glazing into the mainframe, taking the same precautions as when removing the glazing.
 - f) Reinstall the interior glazing stop.
 - g) If required, caulk around the interior/exterior frame with Construction Sealant.
3. Using a soft cloth or sponge, gently clean the window with a mild solution of soap or detergent and lukewarm water. Thoroughly dry when done to prevent water spots. Avoid chemical cleaners, abrasive cleaners and/or cleaning implements that may cause damage.