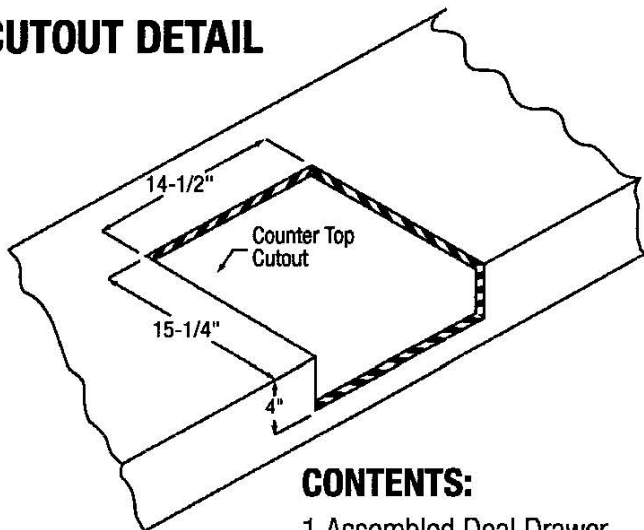


Installation Instructions

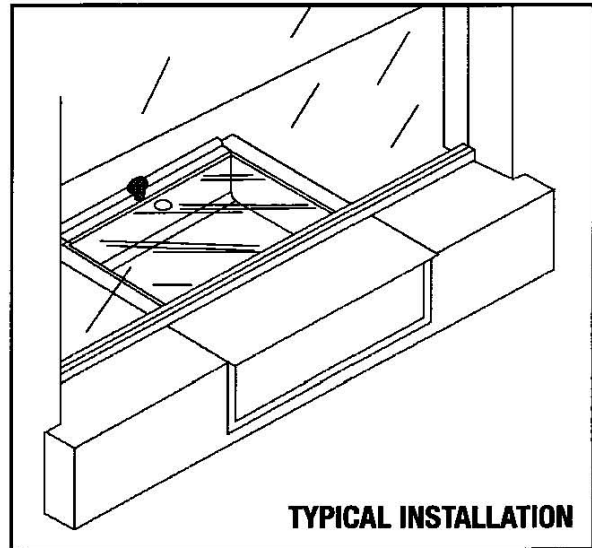
Cat. No. DD1616 Deal Drawer

CUTOUT DETAIL



CONTENTS:

- 1 Assembled Deal Drawer
- 1 Instruction Sheet



INSTALLATION INSTRUCTIONS USING SILICONE SEALANT

(See Other Side For Installation Using Mechanical Fasteners)

1. Cut hole in counter using Cutout Detail.
2. Apply one strip of Cat. No. 3M6818 1" Blue Securing Tape, or equivalent, to the top and front perimeter surface of the drawer. Make sure the tape follows edge of tray with no overlap. This protects the surface of drawer.
3. Place drawer in hole and seat into the desired final position.
4. Apply one strip of Cat. No. 3M6818 1" Blue Securing Tape, or equivalent, to the counter top around the perimeter of drawer. Make sure edge of tape meets, but does not overlap, tape applied to lip of drawer. This protects the surface of counter.
5. Remove drawer from hole. Apply 1/4" bead of Cat. No. 33SC Clear Silicone, or equivalent, to the counter around the perimeter of the cutout.
6. Replace drawer in hole and seat into position. Some clear silicone may squeeze out onto blue tape surrounding the lip of the drawer. Do not clean or wipe uncured sealant away.
7. After silicone has fully cured, use a razor blade and cut any that may have squeezed out, around entire perimeter of drawer. Peel away cured excess silicone and tape.

