

Installation Instructions

CAT. No. FL1213 COUNTER TOP DEAL TRAY WITH FLIP LID

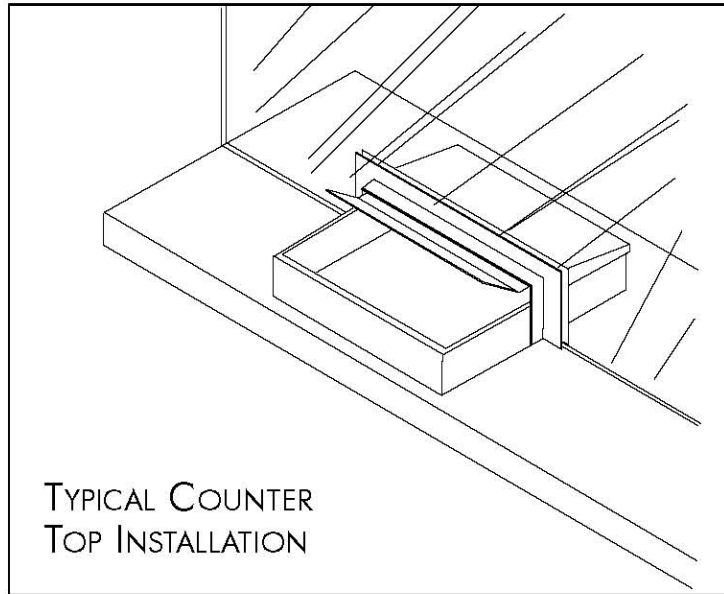


FIGURE A: GLAZING PANEL CUT OUT

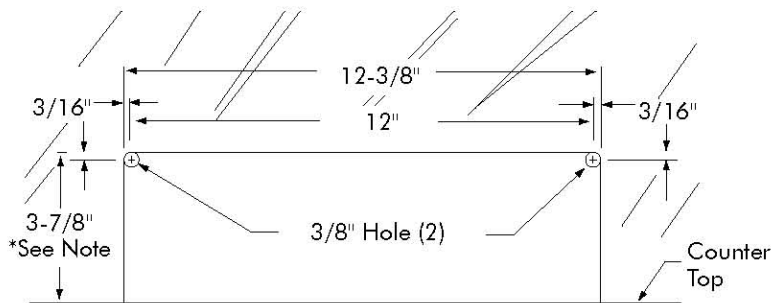
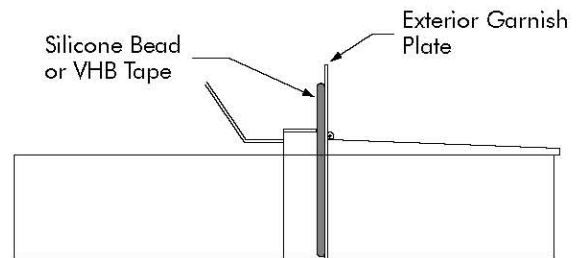


FIGURE B



NOTE: If glazing panel is setting in a U-Channel, deduct the channel bottom thickness from the 3-7/8" measurement.

FIGURE C

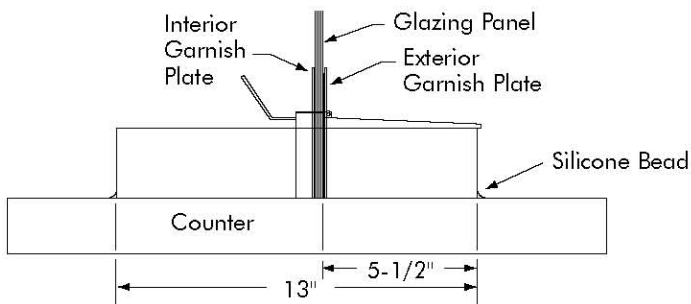
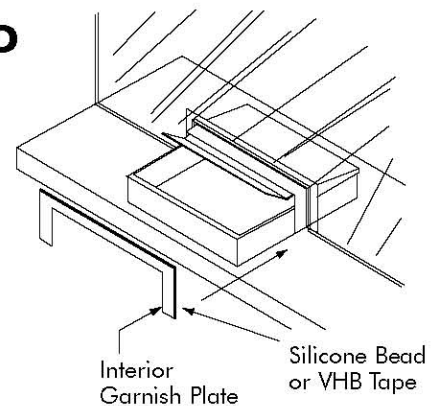


FIGURE D



(SEE BACK OF PAGE FOR INSTALLATION INSTRUCTIONS)