

# Deep Transaction Drawer with Cash Tray

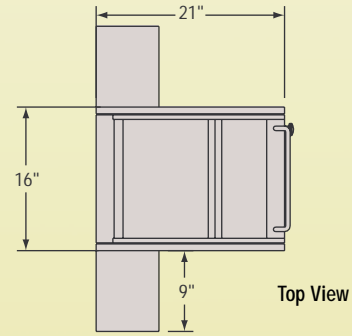
- Allows for Transfer of Larger Items
- Constructed of Stainless Steel
- Attachable Purse Shelves Included
- Fully Assembled



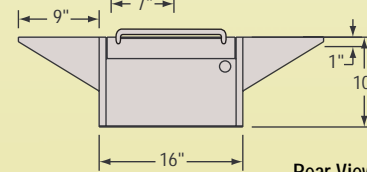
View from Clerk's Side

The Deep Transaction Drawer with Cash Tray will serve walk-up business, protect employees and inventory while allowing transfer of cash, credit cards or small products. Unique design

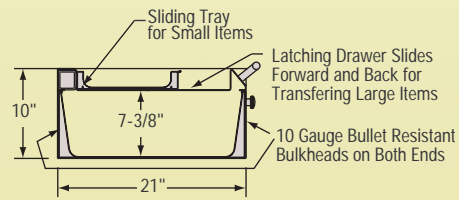
will enable the transfer of motor oil, six-packs of beverages, and other bulk products. All these functions are built into one compact unit engineered for security and ease of operation. Self-contained, smooth operating locking mechanism requires no keys. This model also has 10 gauge steel bullet resistant liners in front and back. Two attachable purse shelves are included with the unit. An overhang or awning is recommended if used in an exterior application.



Top View



Rear View



Side View

## SPECIFICATIONS:

- Material: Stainless Steel
- Finish: Brushed Stainless Steel
- Instructions Included
- Counter Fabrication Required

CAT. NO.	WIDTH	DEPTH	HEIGHT
FL3246C	16"	21"	10"