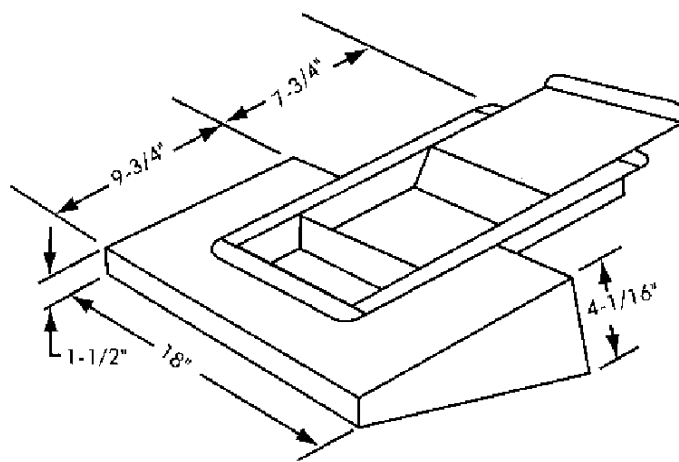


CAT No. FL4146 SLIDING DEAL TRAY WITH SHELF



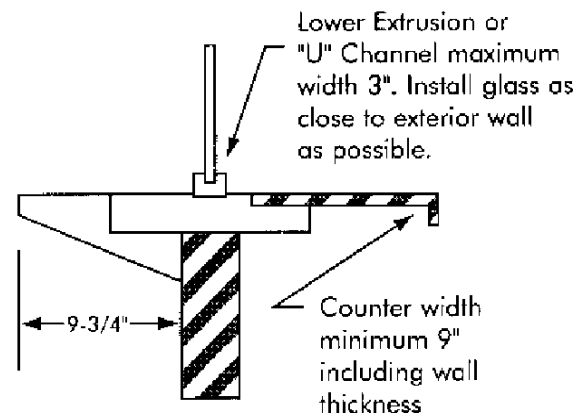
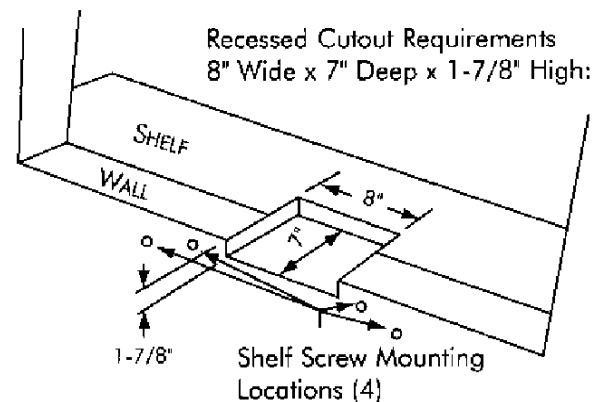
CONTENTS:

- 1-Shelf with Sliding Deal Tray

ADDITIONAL HARDWARE REQUIRED:

- Screws, Masking Tape and Silicone Sealant

(CUTOUT DETAIL)



(CROSS SECTION)

INSTALLATION INSTRUCTIONS

Place unit in the recessed cutout and mark screw locations from the underside of the shelf. Then drill pilot holes if installing into wood or drill and insert masonry anchors if installing into concrete or tile. Re-install unit in the opening and check the screw hole alignment. Then using masking tape, mask around the interior tray border. Remove the unit and apply a small bead of silicone sealant to the underside of the interior tray border. Re-install the unit aligning the tray border with the edge of the masking tape and press down firmly. Silicone sealant squeeze out can be cleaned up later. Use screws that are adequate in length and screw the counter in place. Be sure that when the screws are tightened that the interior border did not lift up. If the interior border did lift up, loosen the screws and push the border lip down. Place a weight or heavy object on top of it until silicone sealant has cured, then tighten screws.

Remove masking tape and excess silicone squeeze out. Interior tray border can be drilled and secured with screws if additional securing strength is required.