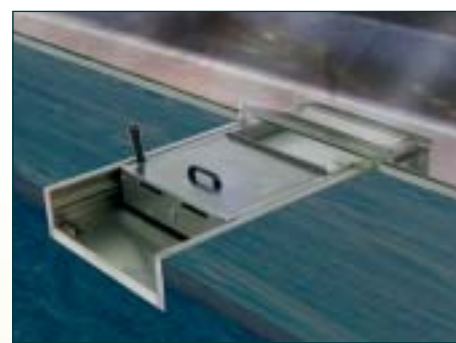



Transaction and Cash Box Drawer

- Removable Deal Tray for Passing Larger Items
- Lockable Cash Drawer
- Fully Assembled and Ready for Installation

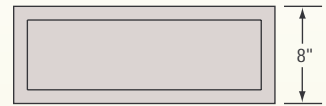


View from Clerk's Side

 Designed, Engineered and Manufactured in the USA

The Transaction and Cash Box Drawer for drive-in or walk-up business allows clerk to maintain customer contact while secure inside. The customer's view of cash drawer contents is blocked by a hinged locking cover.

Clerk can pass small packages by removing the deal tray. The operating handle uses a self-contained locking device. This unit has built in slots for credit card receipts. Constructed of stainless steel.



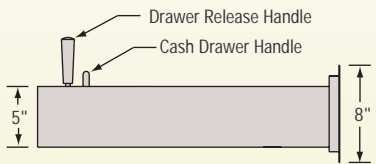
Front View

SPECIFICATIONS:

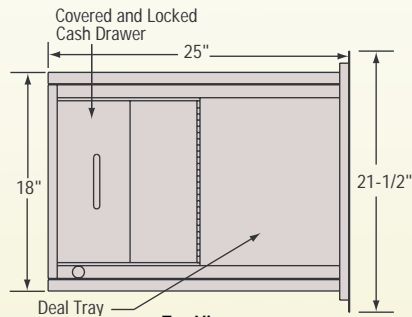
Material: Stainless Steel
Finish: Brushed Stainless Steel
Instructions Included
Counter and Glass Fabrication Required



CAT. NO.	WIDTH	DEPTH	HEIGHT
FL4463	18"	25"	5"



Side View



Top View