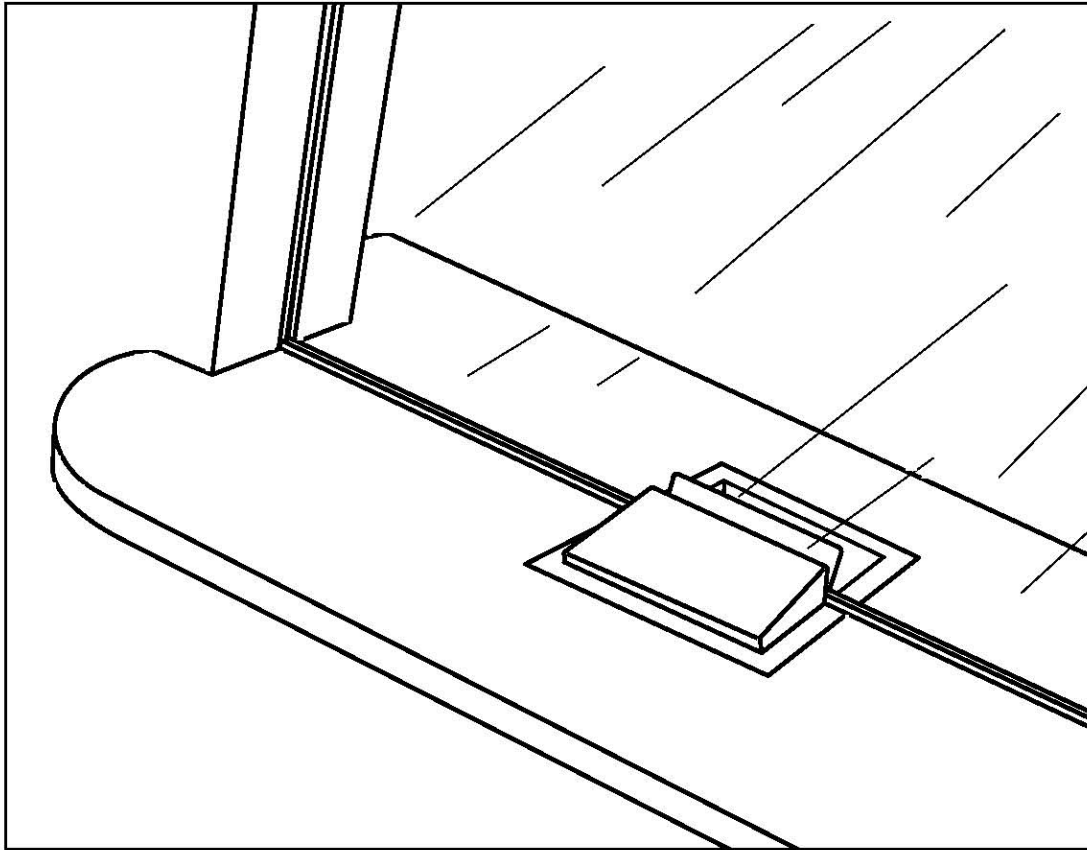


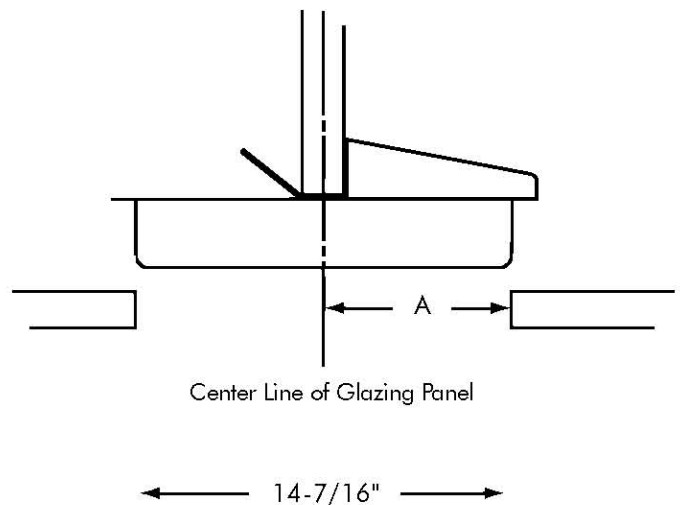
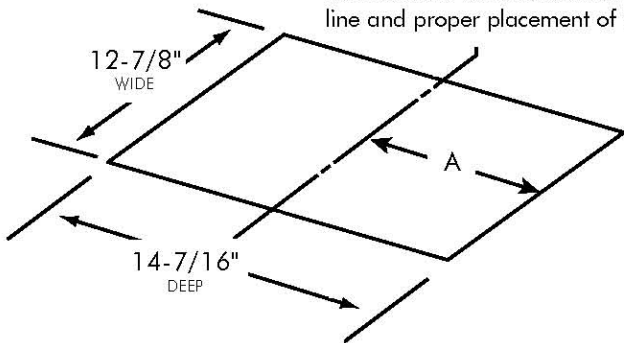
# Installation Instructions

CAT. No. FLR1416 RECESSED DEAL TRAY WITH FLIP LID



## CUTOUT SIZE:

See above illustration and Formula A to determine center line and proper placement of cutout.



FORMULA A = 1/2 OF THE GLAZING PANEL THICKNESS PLUS 6-3/4".

(SEE BACK OF PAGE FOR INSTALLATION INSTRUCTIONS)