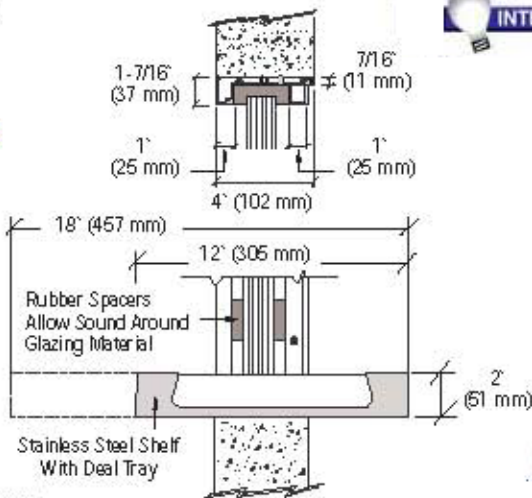


Interior Glazed Exchange Window

- Narrow Inset Frame Incorporates Surround Sound and Built-In Non-Ricochet Bullet Resistant Deal Tray

Interior Glazed Narrow Inset Frame Windows with Surround Sound Voice Transmission System and Brushed Stainless Steel Shelf with Non-Ricochet Bullet Resistant Deal Tray. The extruded aluminum frame is intended for installation into walls at least 4" (102 mm) thick. Shelf depths are 12" (305 mm) and 18" (457 mm). Added depth of 18" (457 mm) Shelf gives customers a convenient writing surface. Securing the frame to the wall requires the removal and installation of the glazing material and spacer blocks.



Shown With 18" (457 mm) Shelf

NARROW INSET ALUMINUM FRAME WINDOW WITH 12" (305 MM) SHELF

CAT. NO.	FINISH	OVERALL SIZE (W X H)
N11W12A	Satin Anodized	Customer to Specify
N11W12DU	Duranodic Bronze	Customer to Specify
N11W12P	Custom Painted	Customer to Specify

NARROW INSET ALUMINUM FRAME WINDOW WITH 18" (457 MM) SHELF

CAT. NO.	FINISH	OVERALL SIZE (W X H)
N11W18A	Satin Anodized	Customer to Specify
N11W18DU	Duranodic Bronze	Customer to Specify
N11W18P	Custom Painted	Customer to Specify

SPECIFICATIONS:

Materials: Glazing - 1/4" (6 mm) Glass; 1-5/16" (33 mm) Level 1 Glass; 1-1/4" (32 mm) Level 1 Acrylic; 3/4" (19 mm) Level 1 Lexgard; 1" (25 mm) Level 2 Lexgard; 1-1/4" (32 mm) Level 3 Lexgard; Shelf - Stainless Steel
 Finishes: Frame - Satin Anodized, Duranodic Bronze, RAL Powder Paint Colors or Custom Kynar Paint Colors; Shelf - Brushed Stainless Steel #4 Finish
 Deal Tray: Level 1 or Level 3 Protection
 Instructions Included

PROTECTION LEVELS

