

# Rotating Drum Service Windows



- For Drive-Thru or Walk-Up Service Windows
- Satin Anodized or Duranodic Bronze Finishes
- Built-In Speak-Thru Included

Our convenient Rotating Drum Service Window is used to serve packaged goods from an enclosed area. Excellent for drive-up or walk-up service windows. Satin anodized or duranodic bronze aluminum frame contains a fixed 1/4" (6 mm) clear tempered glass panel and a Cat. No. 834 Speak-Thru in the upper portion. Lower portion contains a rotating drum that will provide pass-through security. Built-in latch prevents unwanted drum rotation. The entire unit's rough opening measures 16-1/8" wide x 36-1/4" high (410 mm x 921 mm).



## SPECIFICATIONS:

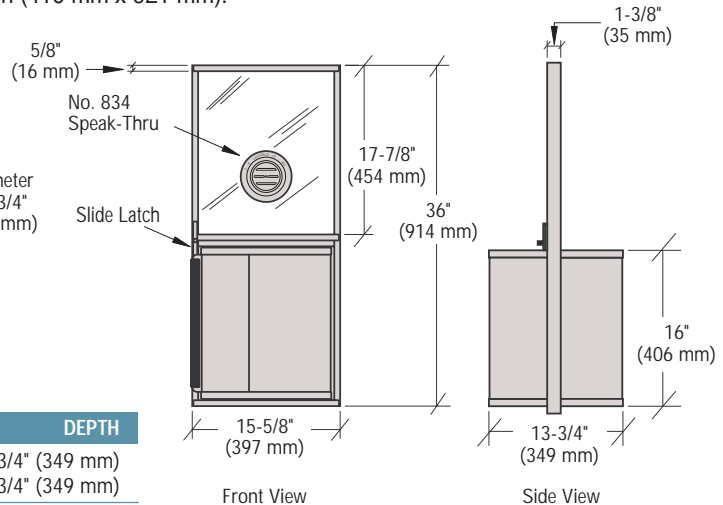
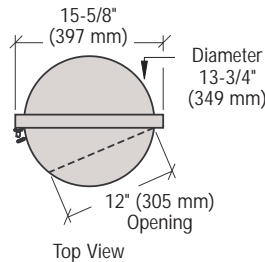
**Materials:** Aluminum Extrusion; Tempered Safety Glass; Stainless Steel Drum

**Finishes:** Brushed Stainless Steel (Drum Portion Only); Frame - Satin Anodized or Duranodic Bronze

**Glazing:** 1/4" (6 mm) Tempered Safety Glass

**Speak-Thru:** No-Draft Aluminum with Finish to Match Frame

**Instructions Included**



CAT. NO.	FINISH	WIDTH	HEIGHT	DEPTH
RS200A	Satin Anodized	15-5/8" (397 mm)	36" (914 mm)	13-3/4" (349 mm)
RS201DU	Duranodic Bronze	15-5/8" (397 mm)	36" (914 mm)	13-3/4" (349 mm)

Minimum order: 1 each.