

Standard Inset Frame Windows - Aluminum

Exterior Glazed Exchange Window

• Standard Inset Frame with Shelf and Built In Deal Tray

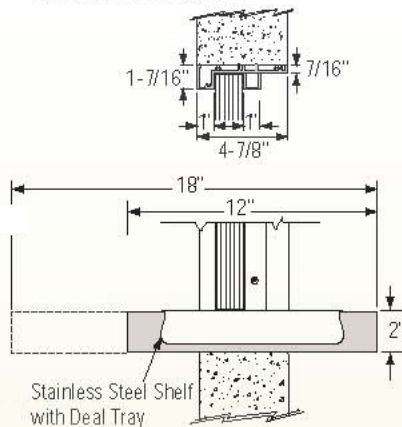
Exterior Glazed Standard Inset Frame Windows have a Stainless Steel Shelf with Deal Tray for passing currency, credit cards, tickets and small articles.

The extruded aluminum frame is designed for installation into walls at least 4-7/8" thick. The shelf is available in depths of 12" or 18". The added depth of the 18" shelf provides a convenient writing surface on the customer's side. All windows are shipped with the glazing material temporarily glazed. The installer mounts the frame and shelf, then permanently seals the glazing material with the provided glazing tape. An overhang or awning is recommended if used in an exterior application. Common sizes are shown below, alternate sizes are available.

SERIES: S1EW12A, S1EW12DU, S1EW12P - 12" SHELF

SERIES: S1EW18A, S1EW18DU, S1EW18P - 18" SHELF

OVERALL SIZE (W x H)	WALL OPENING SIZE (W x H)	OVERALL SIZE (W x H)	WALL OPENING SIZE (W x H)
24' x 30'	24-1/2' x 30-1/4'	36' x 42'	36-1/2' x 42-1/4'
24' x 36"Δ	24-1/2' x 36-1/4'	48' x 36'	48-1/2' x 36-1/4'
24' x 42'	24-1/2' x 42-1/4'	48' x 42'	48-1/2' x 42-1/4'
30' x 30'	30-1/2' x 30-1/4'	60' x 36'	60-1/2' x 36-1/4'
30' x 36'	30-1/2' x 36-1/4'	60' x 42'	60-1/2' x 42-1/4'
30' x 42'	30-1/2' x 42-1/4'	72' x 36'	72-1/2' x 36-1/4'
36' x 30'	36-1/2' x 30-1/4'	72' x 42'	72-1/2' x 42-1/4'
36' x 36"Δ	36-1/2' x 36-1/4'		



Shown with Optional Speak-Thru



SPECIFICATIONS:

Materials: Frame - .125" Thick Extruded 6063-T5 Aluminum Alloy;
Glazing - 1/4" Glass; 1-5/16" Level 1 Glass; 1-1/4" Level 1 Acrylic; 3/4" Level 1 Lexgard; 1-5/8" Level 2 Glass; 1-7/8" Level 3 Glass; 1-1/4" Level 3 Lexgard;
Shelf - Stainless Steel

Finishes: Frame - Satin Anodized, Duranodic Bronze, RAL Powder Paint Colors or Custom Kynar Paint Colors; Shelf - Brushed Stainless Steel