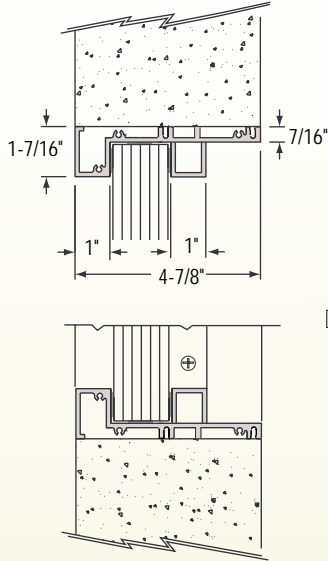


Standard Inset Frame Windows - Aluminum

Exterior Glazed Exchange Window

- Standard Inset Frame Vision Window
Typically Used Above Built In Exchange
Drawers in Walk-Up Installations

Standard Inset Frame Vision Windows are designed for installation in wall openings that have a thickness of at least 4-7/8". The frame has a uniform design on all four sides, and the selected glazing material will be sealed into the frame for a weather tight installation. Vision Windows are commonly used as sidelites in Multi-Lite Exchange Window units. Also for installation above built in Transaction Drawers or Package Receivers. Installer affixes frame to wall opening then permanently seals glazing material into frame with the provided glazing tape. Common sizes are shown below, alternate sizes are available.



SERIES: S1VEA, S1VEDU, S1VEP

OVERALL SIZE (W x H)	WALL OPENING SIZE (W x H)
24" x 36"	24-1/2" x 36-1/4"
30" x 36"	30-1/2" x 36-1/4"
36" x 36"	36-1/2" x 36-1/4"
48" x 36"	48-1/2" x 36-1/4"
60" x 36"	60-1/2" x 36-1/4"
72" x 36"	72-1/2" x 36-1/4"

OVERALL SIZE (W x H)	WALL OPENING SIZE (W x H)
30" x 42"	30-1/2" x 42-1/4"
36" x 42"	36-1/2" x 42-1/4"
48" x 42"	48-1/2" x 42-1/4"
60" x 42"	60-1/2" x 42-1/4"
72" x 42"	72-1/2" x 42-1/4"

SPECIFICATIONS:

Materials: Frame - .125" Thick Extruded 6063-T5 Aluminum Alloy;
 Glazing - 1/4" Glass; 1-5/16" Level 1 Glass; 1-1/4" Level 1 Acrylic; 3/4" Level 1 Lexgard; 1-5/8" Level 2 Glass; 1-7/8" Level 3 Glass; 1-1/4" Level 3 Lexgard
Finishes: Frame - Satin Anodized, Duranodic Bronze, RAL Powder Paint Colors or Custom Kynar Paint Colors
Instructions Included