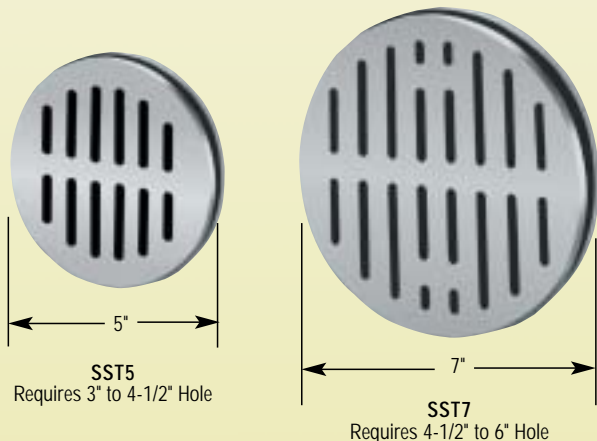
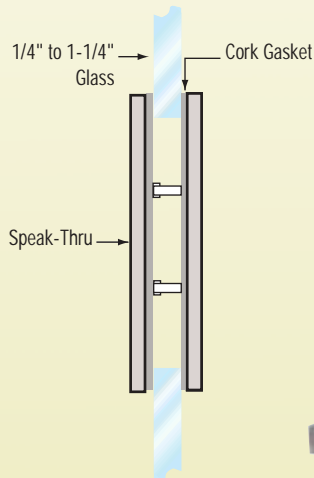


Stainless Steel Speak-Thrus

- Provides Natural Voice Transmission
- Designed to Eliminate Drafts

The Stainless Steel Speak-Thru provides natural voice transmission. Offset slots in front and rear prevent tampering from the outside, and stops drafts to the interior. Speak-Thru has a brushed stainless finish, and comes in two sizes. Accommodates glazing from 1/4" to 1-1/4" thick.



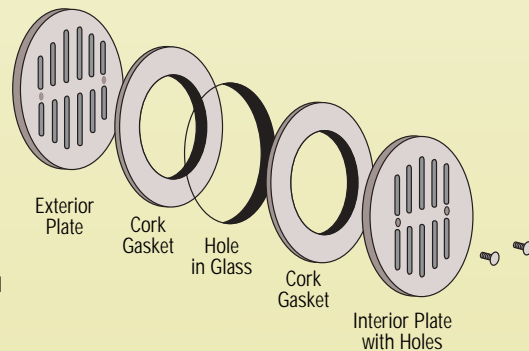
SPECIFICATIONS:

Material: Stainless Steel

Finish: Brushed Stainless Steel

Instructions Included

Glass Fabrication Required



CAT. NO.	DESCRIPTION
SST7	5" Round Speak-Thru
SST5	7" Round Speak-Thru