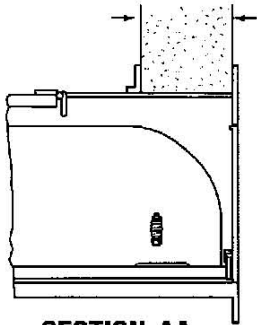


Installation Instructions

Cat. No. TD1727TW Oversized Thru-Wall Transaction Drawer

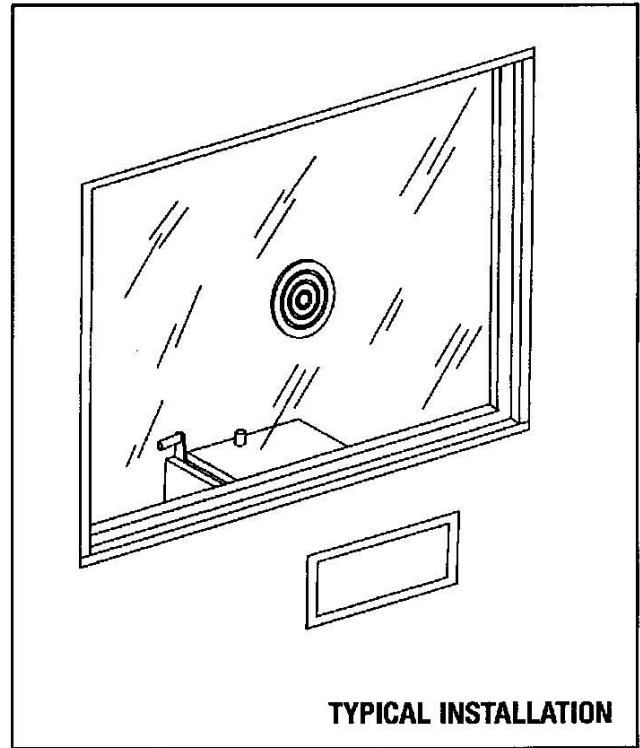
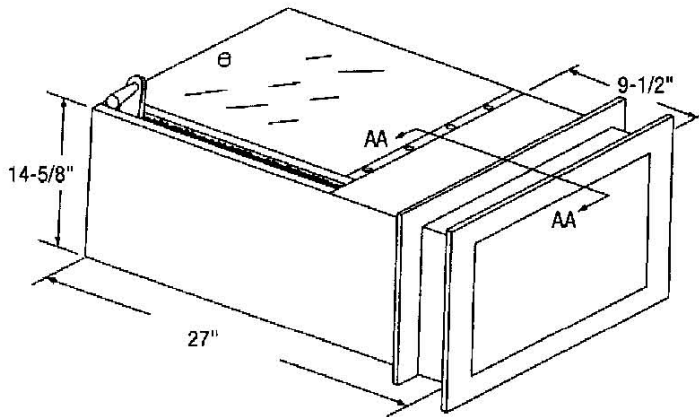
CONTENTS:

- 1 Assembled Deal Tray
- 1 Instruction Sheet



SECTION-AA

NOTE: From the front edge of the wall to the back edge of the stainless steel top shelf is 9-1/2". No wall over 9-1/2" wide can be used as it would interfere with raising the Lexan Lid.



TYPICAL INSTALLATION

TYPICAL INSTALLATION OPTIONS - THRU WALL APPLICATION

(See Following Pages For Installation Instructions)

