

Low-Profile Voice Communication System Ideal for High-Security Locations

The TTU-4 Talk-Thru communication system is particularly suitable for low ambient noise environments that require an unobtrusive, yet tamper-resistant voice communication system.

The TTU-4's counter-mounted design eliminates the need for cutting into a barrier. Its low-profile installation adds a personal dimension to such situations as inmate-to-visitor communications.

All the components including the microphones are housed in the sleek, compact units to avoid the hazards that might be encountered in a high-security environment.

HOW IT WORKS...

The TTU-4 incorporates the same high-quality electronics as the basic Patent Pending TTU-1 Talk-Thru system. It is a vox system, enabling the inmate and the visitor to have hands free two way communication.

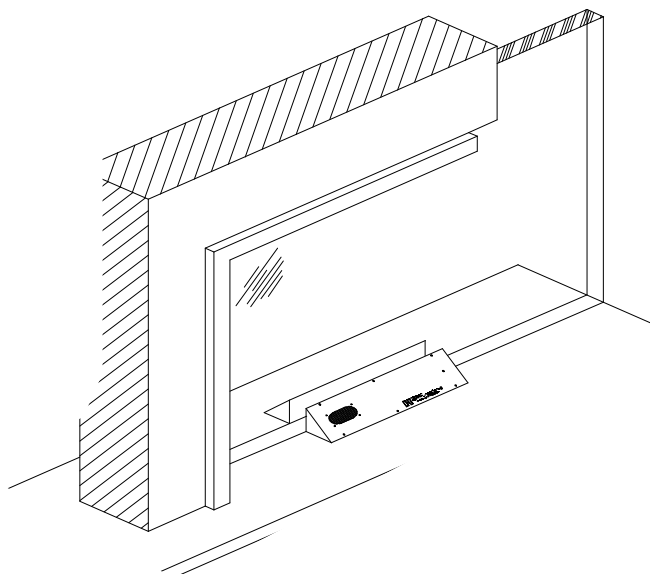
The TTU-4 provides clear communication, shaping the sound for maximum intelligibility. The compression circuitry decreases loud, annoying sounds. Since the TTU-4 is designed

for applications in security areas, all controls and microphones are recessed to minimize unauthorized adjustment and tampering. All exposed hardware is tamper-resistant.

HOW TO INSTALL...

The TTU-4 comes ready to operate. The prism units are quickly and easily mounted on the counter-top on opposite sides of the barrier. They can be positioned back-to-back (as shown) or randomly. Tamper resistant screws are used for both units. A special tool is furnished for these screws. There are two ways to install the TTU-4: either run the cable between the units through a small hole in the barrier, or under the counter-top (as shown on the back page).

The TTU-4 uses a continuous-duty, 117-Volt power supply which is stepped down to 15 Volts.



TTU-4 Talk Thru System™

FEATURES

- Clear 2-way hands-free voice communication.
- Quality electronic design and engineering.
- Avoids shouting, repetition, misunderstanding.
- No gooseneck microphone and no external controls.
- Rugged, tamper-resistant materials.
- Simple one person installation. No need to cut hole in barrier.
- Compact, contemporary design. Fits any decor.
- Export models available.
- Units available for ADA applications.
- Made in U.S.A.

SPECIFICATIONS

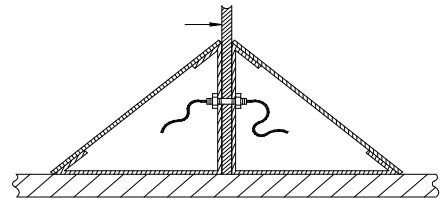
MECHANICAL

- 1 **Outside assembly:**
Machined aluminum, anodized finish, tamper-resistant
- 2 **Inside assembly:**
Machined aluminum, anodized finish, tamper resistant
- 3 **Size (both assemblies):**
 $12\frac{1}{2}$ in. W x $2\frac{3}{8}$ in. H x $2\frac{3}{8}$ in. D
- 4 **Weight:** 2.5 lbs.
- 5 **Mounting:** Counter-top
- 6 **Panel controls:** No external controls

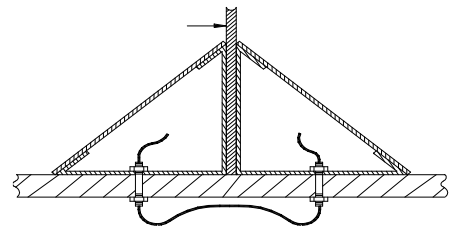
ELECTRONIC

- 1 **Audio frequency response:**
Selectively shaped for maximum voice intelligibility
- 2 **Audio power:** 2 Watts per amplifier (2 amplifiers)
- 3 **Distortion:** Less than 2%
- 4 **Listen mode:** 20 dB compression
- 5 **Talk mode:** Vox
- 6 **Microphones:** Electret
- 7 **Power supply:**
Input: 120 VAC, 60 Hz
Output: 15 VDC, 175 mA
Other input power is available upon request

MOUNTING DETAILS "A" TYPE MOUNTING



"B" TYPE MOUNTING



Specifications are subject to change without notice.

Talk-Thru systems are shipped complete with cables, instruction, and power supply.

Mounting hardware is not included.