

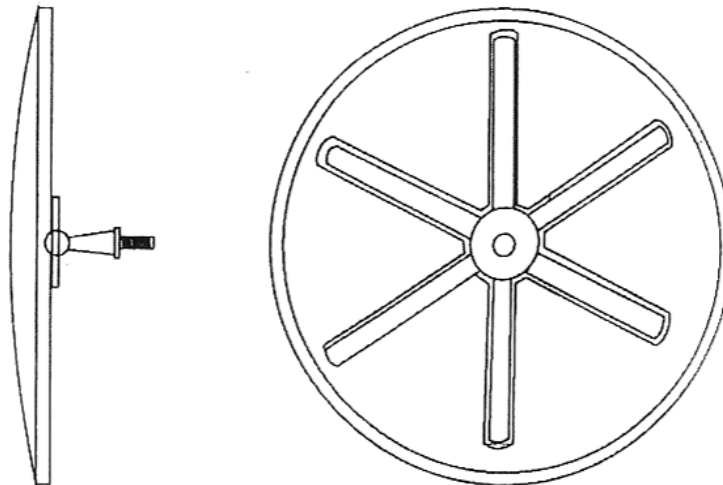
Installation Instructions

Convex Mirror

The Round and Rectangular Convex Mirrors are high-quality, low-distortion mirrors designed to enhance security and deter shoplifting.

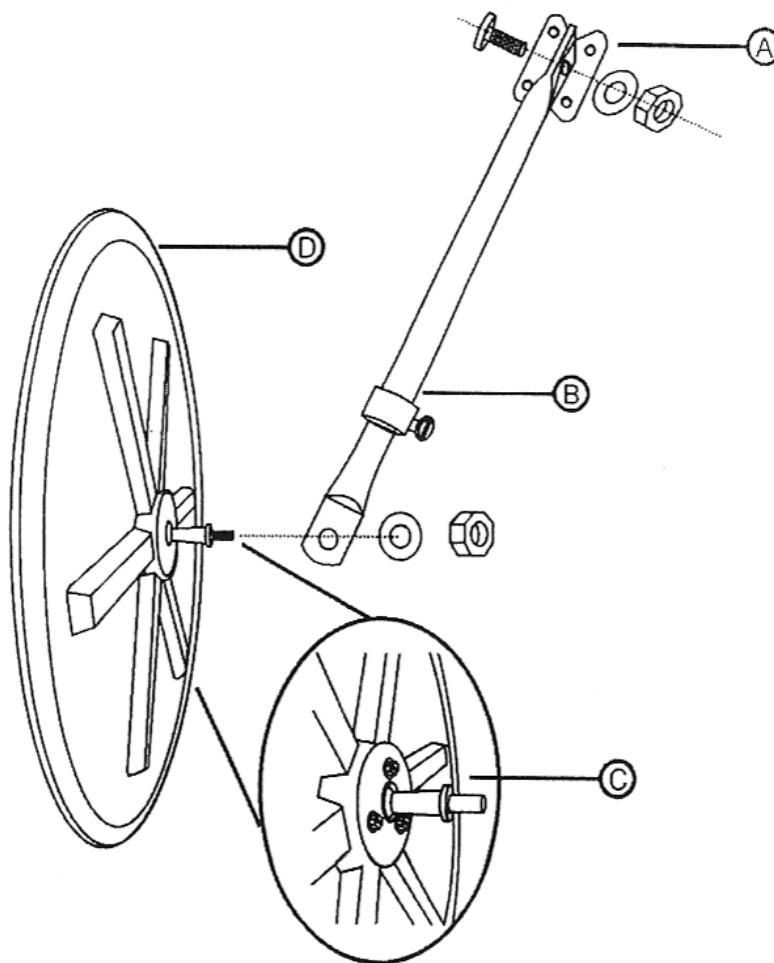
Included Components:

1. Round or Rectangular Convex Mirror
2. Adjustable Mounting Bracket
(mounting screws are not included)



INSTALLATION INSTRUCTIONS

1. Fasten the Mounting Bracket (Diagram A) securely to the wall or ceiling. The Bracket can swivel to the desired angle and then be locked in position by tightening the bolt and locking nut.
2. Using a Phillips or flat head screwdriver, adjust the Mounting Bracket (Diagram B) to the desired length.
3. Position the angle of the Mirror by slightly loosening the Swivel Bolt (Diagram C). Do not remove the screws from the swivel bolt. When the desired angle is set, tighten the Swivel Bolt.
4. Attach the Mirror to the Mounting Bracket (Diagram D) and tighten nut to lock in position.



Suggested Retail Positioning

Mirrors placed at strategic locations throughout the store can give management a clean view of out-of-the-way areas that are a temptation to thieves. For best results we suggest one mirror for every two aisles.

NOTE: PLXR Mirror Back Shown